

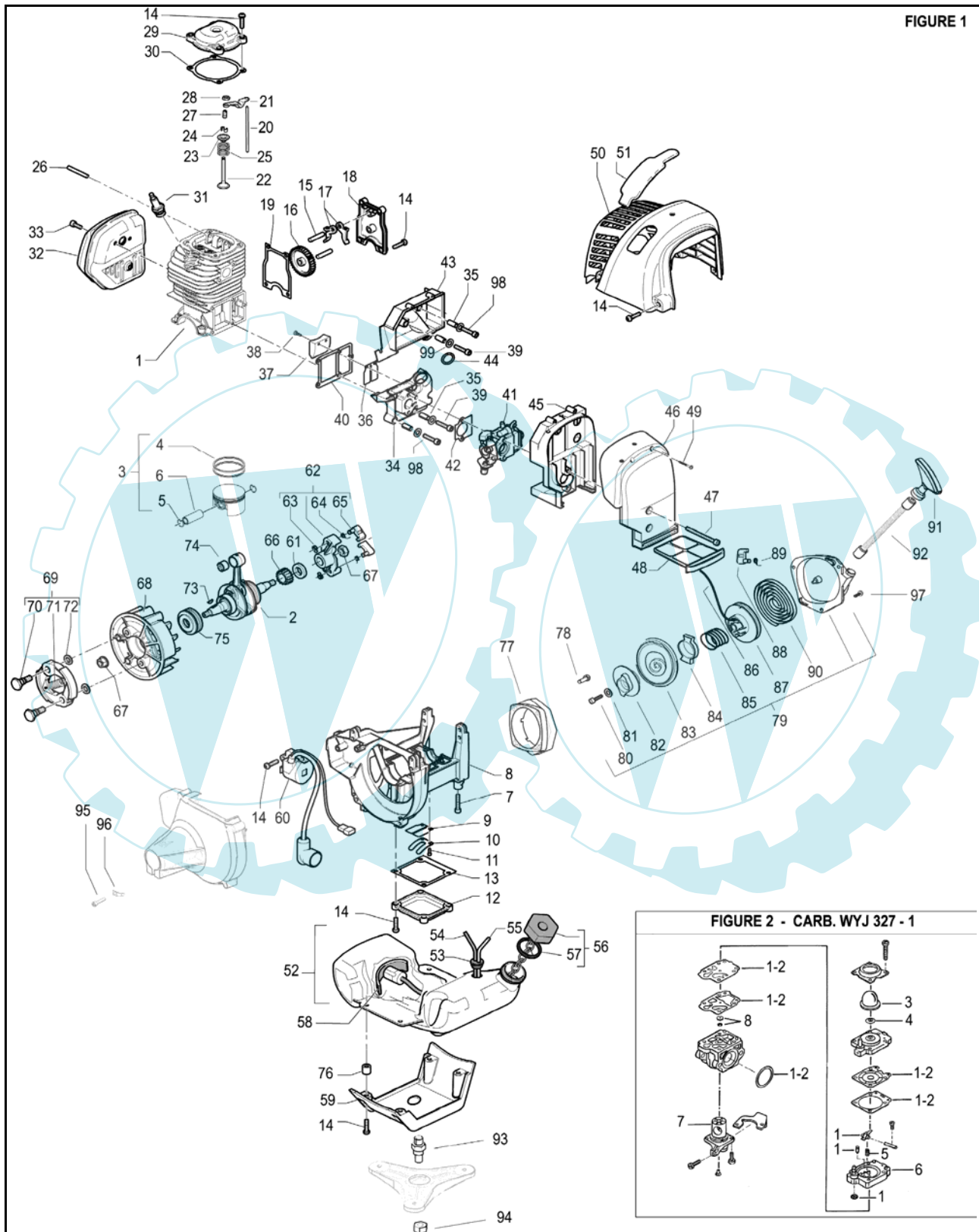
ELECTROLUX OUTDOOR PRODUCTS

PNC	Type/Prefix/nd	Model	Brand
953900529	01	B 522X BP	PARTNER
953900521	01	QUATTRO 52 BP PRO	McCulloch

Number of Pages 1 of 5

Factory: IIQ - Valmadrera	Product Group: OP 93
Publication Number: EIPL2004_VP0406005	Petrol Portable
Publication Date: 24/06/04	Sub Group 9433

 **The Electrolux Group. The world's No.1 choice.**



 **The Electrolux Group. The world's No.1 choice.**

Item	P/N McC	P/N ELX	Qty	DESCRIPTION
------	---------	---------	-----	-------------

FIGURE 1

1	242247	538242247	1	cylinder
2	242249	538242249	1	crankshaft ass'y
3	249162	538249162	1	piston kit
4	227544	538227544	2	piston ring
5	229544	538229544	2	retaining ring
6	227344	538227344	1	piston pin
7	227565	538227565	5	screw M5x25
8	242175	538242175	1	crankcase
9	242215	538242215	1	blade
10	242216	538242216	1	plate
11	236531	538236531	2	screw M3x8
12	242177	538242177	1	engine cover
13	242231	538242231	1	gasket
14	240802	538240802	8	screw M5x20/washer
15	242427	538242427	2	pin
16	242178	538242178	1	gear
17	242179	538242179	2	valve rocker
18	242180	538242180	1	cover
19	242230	538242230	1	gasket
20	242181	538242181	2	rocker rod
21	242217	538242217	2	valve rocker
22	242207	538242207	2	valve
23	242429	538242429	2	cotter
24	242467	538242467	4	valve cotter
25	242219	538242219	2	spring
26	242428	538242428	1	pin
27	242256	538242256	2	screw
28	242508	538242508	2	nut
29	242182	538242182	1	valve cover
30	242232	538242232	1	engine cover gasket
31	92878	538092878	1	spark plug RDJ6J
32	242245	538242245	1	muffler ass'y
33	235802	538235802	3	screw M5x14
34	242183	538242183	1	boot intake lower
35	241705	538241705	4	bushing
36	242215	538242215	1	blade
37	242220	538242220	1	blade clamp
38	240618	538240618	2	screw 3x16
39	235803	538235803	5	screw 5x25
40	242229	538242229	1	gasket

FIGURE 2

42	242647	538242647	1	gasket
43	242221	538242221	1	boot intake upper
44	242449	538242449	1	OR 3068
45	242184	538242184	1	air filter housing
46	242185	538242185	1	air filter cover
47	242450	538242450	1	screw M5x60
48	242186	538242186	1	air filter
49	240617	538240617	2	screw 3x25
50	242714	538242714	1	engine cover
51	242188	538242188	1	spark plug cover
52	242250	538242250	1	fuel tank ass'y
53	• 235675	538235675	1	fuel tank grommet
54	• 229809	538229809	1	fuel hose 245 mm
55	• 229743	538229743	1	fuel hose 150 mm
56	236564	538236564	1	fuel cap
57	• 236564	538236564	1	fuel cap gasket

Item	P/N McC	P/N ELX	Qty	DESCRIPTION
------	---------	---------	-----	-------------

58	240452	538240452	1	fuel pick up
59	242971	538242971	1	engine support
60	242444	538242444	1	ignition coil
61	228872	538228872	1	seal 13-52-5 (S7)
62	242800	538242800	1	starter pawl ass'y
63	• 111088	538111088	2	snap ring
64	• 241782	538241782	2	spring
65	• 241781	538241781	2	pawl
66	242213	538242213	1	gear
67	235218	538235218	1	nut M8
68	242192	538242192	1	flywheel
69	248808	538248808	1	clutch ass'y
70	• 242369	538242369	2	clutch pin
71	• 241270	538241270	1	clutch spring
72	• 241076	538241076	2	washer
73	227631	538227631	1	key
74	227335	538227335	1	needle bearing
75	249161	538249161	2	bearing kit
76	242477	538242477	4	bushing
C 77	242882	538242882	1	starter frame
78	235214	538235214	4	screw M6x20
C 79	242975	538242975	1	starter ass'y
80	• 503217520	503217520	1	screw 5x20
81	• 227259	538227259	1	washer
B 82	• 249437	538249437	1	cam plate
B 83	• 249438	538249438	1	spring ass'y
B 84	• 249440	538249440	1	ratchet (inner)
C 85	• 249439	538249439	1	return spring
A 86	• 227703	538227703	1	rope
87	• 249442	538249442	1	reel plate
C 88	• 249436	538249436	2	ratchet (lateral)
C 89	• 249435	538249435	2	ratchet's return spring
B 90	• 249441	538249441	1	spiral spring
91	• 242996	538242996	1	handle
92	• 242973	538242973	1	sheating
93	243177	538243177	1	rod
94	240469	538240469	1	nut M10
95	235804	538235804	4	screw M5x30
96	228139	538228139	1	fast on
97	503217520	503217520	3	screw 5x20
98	242173	538242173	2	screw 5x30
99	235248	538235248	7	washer

FIGURE 2

C -	242988	538242988	1	Carburettor WYJ 327 A
B 1	• 247955	538247955	1	repair kit K20 WYJ
A 2	• 247956	538247956	1	gasket kit K20 WYJ
C 3	• 225834	538225834	1	primer bulb
C 4	• 247957	538247957	1	176-64 valve
C 5	• 247958	538247958	1	spring
C 6	• 247962	538247962	1	body ass'y pulse
C 7	• 247961	538247961	1	valve
C 8	• 249276	538249276	1	jet 0,48

A=ALTA ROTAZIONE
B=MEDIA ROTAZIONE
C=ALTA ROTAZIONE

A=HIGH MOVING
B=MEDIUM MOVING
C=SLOW MOVING

A=HAUTE DEMANDE
B=MOYENNE DEMANDE
C=BASSE DEMANDE

A=GROBE NACHFRAGE
B=MITTELMAESSIGE
C=WENIGE NACHFRAGE

NUOVI CODICI

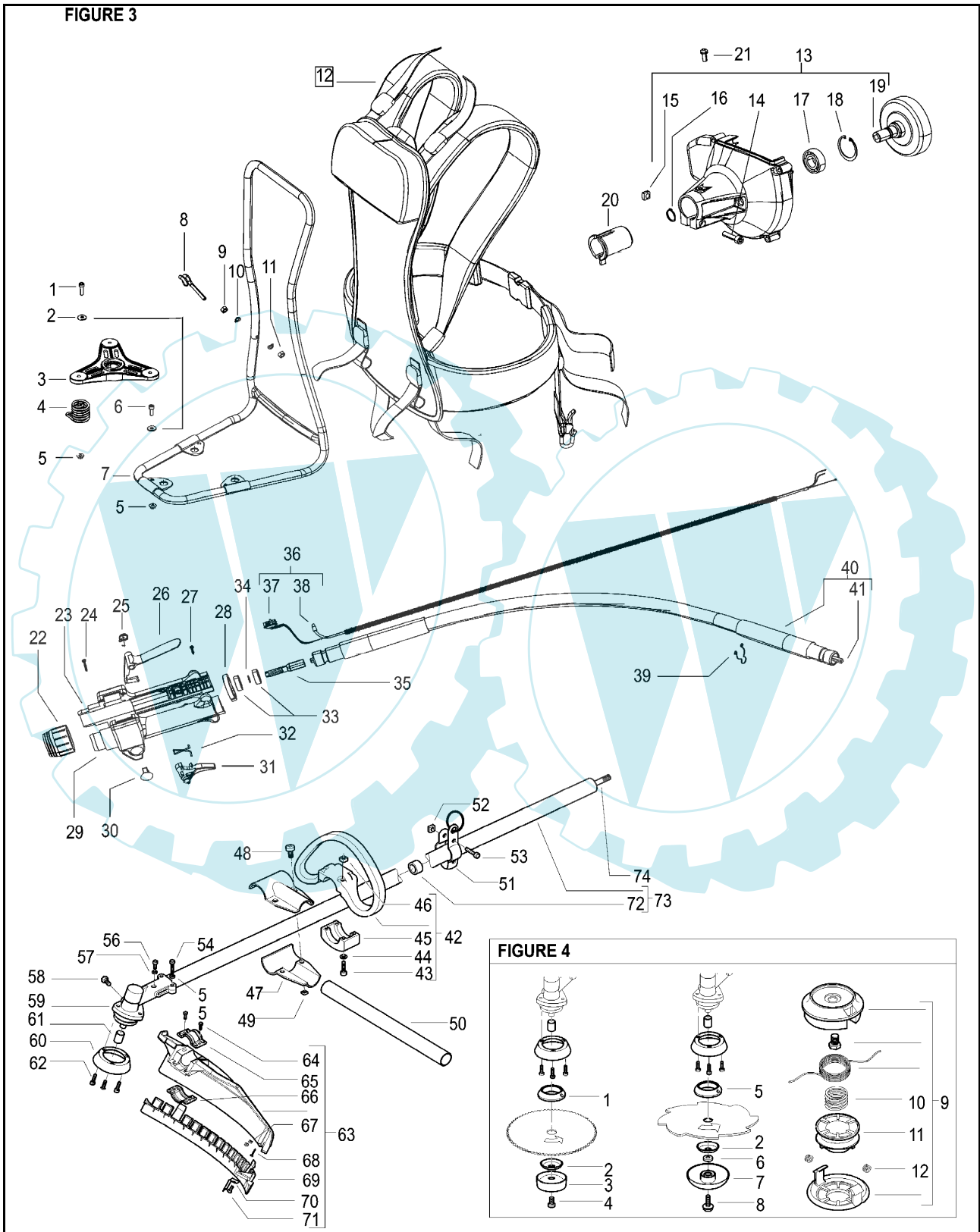
NEW P. NUMBERS

NOUVELLES REFERENCES

NEU CODEX

Service

FIGURE 3



The Electrolux Group. The world's No.1 choice.

Item	P/N McC	P/N ELX	Qty	DESCRIPTION	Item	P/N McC	P/N ELX	Qty	DESCRIPTION
FIGURE 3									
1	229077	538229077	3	screw M5x18	51	237783	538237783	1	harness ring ass'y
2	227259	538227259	6	washer	52	236642	538236642	1	nut M6
3	240171	538240171	1	antivib. plate	53	235911	538235911	1	screw M6x12
4	240196	538240196	3	antivib. spring	54	235804	538235804	2	screw M5x30
5	240592	538240592	6	nut M5	55	236529	538236529	2	grower
6	235802	538235802	3	screw M5x14	56	236381	538236381	1	screw M5x10
7	242816	538242816	1	backpack frame	57	236529	538236529	1	grower
8	10121470	531205169	1	starter knob holder	58	240151	538240151	1	screw M8x10
9	10115900	531204961	2	washer	59	240804	538240804	1	gear box ass'y
10	10501200	531207165	1	nut	60	247272	538247272	1	spacer
11	20281800	531208491	1	self locking nut	B 61	240767	538240767	1	flange guard
12	242817	538242817	1	backpack padding/harness	62	240688	538240688	3	screw and washer
13	243124	538243124	1	joint ass'y	B 63	248960	538248960	1	safety guard ass'y
14	• 235910	538235910	1	screw M6x25	64	• 229077	538229077	2	screw M5x18
15	• 236642	538236642	1	nut M6 10x10x4	65	• 242636	538242636	1	upper clamp
16	• 236378	538236378	1	seeger Ø 15	66	• 242752	538242752	1	lower clamp
17	• 235918	538235918	1	ball bearing	67	• 229208	538229208	2	nut M5
18	• 235899	538235899	1	seeger Ø 32	68	• 240862	538240862	1	self threading screw 4x18
19	• 240194	538240194	1	clutch drum	69	• 242630	538242630	1	string head guard extension
20	242969	538242969	1	bushing	70	• 241973	538241973	1	line cutter
21	240688	538240688	1	screw/washer	71	• 235802	538235802	2	screw M5x14
22	240170	538240170	1	shaft lock	72	242992	538242992	1	shaft (complete)
23	242991	538242991	1	handle, right half	73	• 236383	538236383	5	grommet/bearing ass'y
24	240617	538240617	2	self threading screw 3x25	74	240189	538240189	1	shaft
25	240043	538240043	1	safety lever spring	FIGURE 4				
26	240041	538240041	1	safety lever	A 1	242475	538242475	1	flange
27	240618	538240618	6	self threading screw 3x16	A 2	229834	538229834	1	flange
28	242159	538242159	1	handle ring	A 3	236596	538236596	1	cup
29	242990	538242990	1	handle, left half	A 4	229842	538229842	1	cup screw
30	241297	538241297	1	cap	A 5	242410	538242410	1	flange
31	240042	538240042	1	throttle trigger	6	240807	538240807	1	spacer
32	235932	538235932	1	throttle trigger spring	A 7	240809	538240809	1	idle cup
33	235897	538235897	2	ball bearing	A 8	240806	538240806	1	idle cup screw
34	235224	538235224	1	seeger Ø 10	A 9	538249344	538249344	1	TNG string head
35	240181	538240181	1	shaft	10	• 249371	538249371	1	spring
C 36	242999	538242999	1	wires ass'y	11	• 249373	538249373	1	reel
C 37	• 242439	538242439	1	switch	12	• 249372	538249372	2	eyelet
38	• 243053	538243053	1	throttle cable					
39	240200	538240200	2	wires clamp					
40	240590	538240590	1	flexible shaft/sheating ass'y					
C 41	• 240185	538240185	1	flexible shaft					
42	236999	538236999	1	delta handle ass'y					
43	• 228320	538228320	4	screw M6x45					
44	• 236936	538236936	4	washer					
45	• 236809	538236809	1	delta handle clamp					
46	• 236642	538236642	4	nut M6					
47	240682	538240682	2	barrier clamp					
48	235911	538235911	2	screw M6x12					
49	236642	538236642	2	nut M6					
50	246864	538246864	1	barrier					

A=ALTA ROTAZIONE
B=MEDIA ROTAZIONE
C=ALTA ROTAZIONE
NUOVI CODICI

A=HIGH MOVING
B=MEDIUM MOVING
C=SLOW MOVING
NEW P. NUMBERS

A=HAUTE DEMANDE
B=MOYENNE DEMANDE
C=BASSE DEMANDE
NOUVELLES REFERENCES

A=GROBE NACHFRAGE
B=MITTELMAESSIGE
C=WENIGE NACHFRAGE
NEU CODEX



The Electrolux Group. The world's No.1 choice.